

# logiROUTER

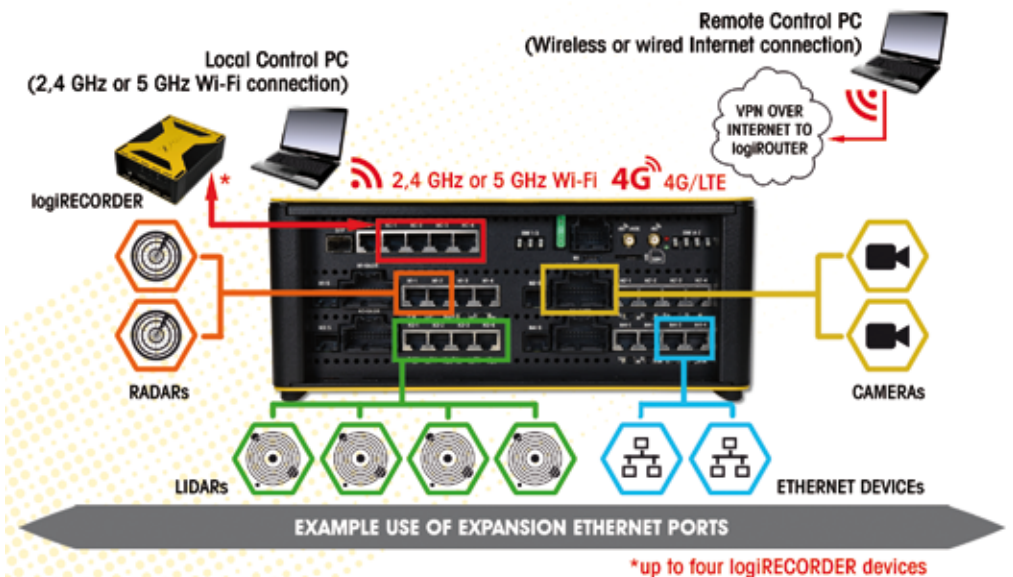
## Automotive Multi-Protocol Router



The logiROUTER Automotive Multi-Protocol Router brings the internet to the vehicle by using a built-in 4G modem, and shares the network access by onboard devices via Wi-Fi and wired Ethernet LAN connections. It enables reliable remote management of logiRECORDER Automotive HIL Video Loggers deployed in test fleets that may be located anywhere in the world. The logiROUTER extends the logiRECORDER functionality even more by providing additional Ethernet and OABR (OPEN Alliance Broad-R Reach®) interfaces.

### HIGHLIGHTS

- ✓ Expands four logiRECORDER SmartEthernet 1Gbps ports to 16 standard or automotive Ethernet ports
- ✓ Provides global internet connectivity for the in-vehicle test equipment
- ✓ Multi-service communication platform: 4G/LTE, Wi-Fi and wired Gigabit-Ethernet LAN
- ✓ Enables remote management of logiRECORDER data loggers deployed anywhere in the world
- ✓ Connects multiple logiRECORDER devices to form an integrated measurement device with increased data bandwidth and storage capabilities
- ✓ Ruggedized design to sustain harsh environment



## MOBILE/CELLULAR INTERFACE

Integrated global cellular networks support

Enables VPN user connections

Multimode LTE-FDD/LTE-TDD/UMTS/HSDPA/HSUPA/HSPA+/GSM/GPRS/EDGE

LTE CAT4: DL 150 Mbps / UL 50 Mbps

1x Mini SIM card slot

2x SMA antenna connectors (primary/AUX)

Delivered antenna 2.4 – 2.7 GHz

## WI-FI INTERFACE

IEEE 802.11 ac/a/n/b/g

Dual-band 2.4/5 GHz

2.4 GHz max bit rate 450 Mbit/s

5 GHz max bit rate 1300 Mbit/s

WPA-PSK and WPA2-PSK authentication types supported

## ETHERNET INTERFACE

4 port Gigabit Ethernet switch (NC-1 to NC-4)

10/100/1000 Ethernet ports (on the switch)

Wired Port 1 designed as an Internet uplink port and DHCP client

Wired Ports 2-5 and Wi-Fi clients bridged together

POE-out on uplink (NC-5)

16 10/100/1000 Ethernet ports configured as BASE1000-T or BASE100-T1 (in groups of 4)

Each group of 4 Ethernet ports connects to one of logiRECORDER's 1GbE SmartEthernet ports

IEEE 1588-2008 PTP V2, user configurable for the IEEE 802.1AS-2011 gPTP profile

## OTHER

Provides firewalls and other data security measures

Switch-controlled Ethernet/OABR port type, OABR Master/Slave and camera power supply

Power controlled from the logiRECORDER

Actively cooled and robust housing

Dimensions (W x L x H): 281 x 350 x 110 (mm) ; Weight: 5 kg

Temperature range: -20 – 60°C

Certifications\*: CE, FCC, RoHS

\*In progress



## TECH SPECS

Visit us online at  
[www.xylon-lab.com](http://www.xylon-lab.com)

## XYLON HEADQUARTERS

Xylon d.o.o.  
Fallerovo šetalište 22  
10 000 Zagreb, Croatia-Europe

tel: +385-1-368-0026  
e-mail: [info@logicBRICKS.com](mailto:info@logicBRICKS.com)

## XYLON GERMANY

Bauernreihe 8a  
18347 Ahrenshoop, Germany-Europe

tel: +49-38220-668610  
e-mail: [info@logicBRICKS.de](mailto:info@logicBRICKS.de)

## XYLON USA

Detroit MI  
USA

tel: +1 586-649-8868  
e-mail: [na-sales@logicBRICKS.com](mailto:na-sales@logicBRICKS.com)

## XYLON JAPAN

Meiji-Yasuda,  
Seimei Meidaimae Bldg. 4F  
2-41-11 Matsubara, Setagaya-Ku  
156-0043 Tokyo, Japan

e-mail: [info@logicBRICKS.jp](mailto:info@logicBRICKS.jp)

Copyright © 2021 Xylon d.o.o.  
All rights reserved.  
Subject to change without notice.  
Version 1.0, 9/2021.

Xylon and logicBRICKS by Xylon are trademarks  
or registered trademarks of Xylon.

All other trademarks and registered trademarks  
are the property of their respective owners.

